

### TECHNICAL DATA

**POWER CONSUMPTION** – Saves 50-70%.

**EXPECTED LED LIFE** – 100,000 hrs.

**LED TECHNOLOGY** – Latest technology on Hi-Flux LEDs,  
Minimal CRI of 70.

**OPTICS** – Special secondary optical lens design to maximize  
light output & uniformity. Each lens allows the fixture to  
generate different lighting patterns.

**OPERATING TEMPERATURE** – -40 C° ~ +70 C°.

**HOUSING** – Die cast aluminum housing with powder coat finish.  
Single, self-contained device, not requiring on-site assembly  
for installation, designed to prevent the buildup of water and  
accumulated debris. Tool-less entry housing. Watertight, IP-66.

**THERMAL MANAGEMENT** – Heat sink fins are incorporated  
into the external design to allow for dispensing heat.

**MOUNTING** – ±5° mounting angle adjustability. Easy  
mounting hardware for mounting angles and different pole  
sizes.

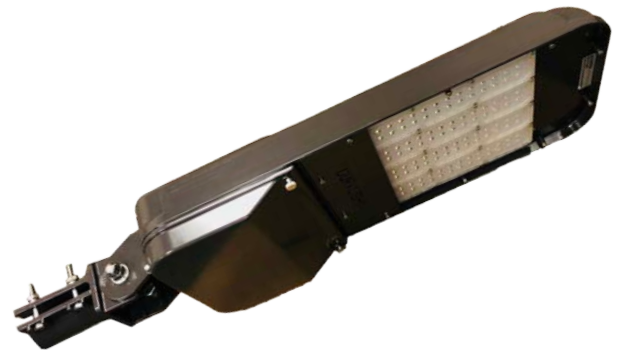
**ELECTRICAL FEATURES** – Integral power surge protector  
tested in conformance to ANSI/IEEE C62.45 procedures.  
Comes with a variable voltage power supply either  
120-277VAC or 249-528 VAC.

Twist-lock photocell included (3 or 7 pins). UL 1598, UL 8750,  
and CSA C22.2 certified.

**COLOR CORRELATED TEMPERATURE (CCT)** –3,000 – 5,000K

**NEIGHBORHOOD FRIENDLY OPTION AVAILABLE**

**LUMINAIRE EFFICACY** – ≥ 110 lm/w.

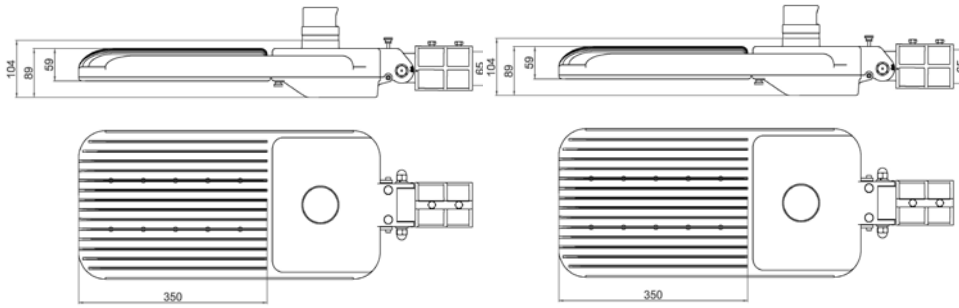


TRADITIONAL HPS REPLACEMENT	DURALIGHT MODEL
150W HPS	JXM-ST140-3
250W HPS	JXM-ST180-3
400W HPS	JXM-ST180-4

Model Number:	JXM-ST140-3	JXM-ST180-3	JXM-ST180-4
Wattage Level:	65W	120W	185W
Lumen Output*:	≈ 7150	≈ 13800	≈ 20500
CRI:	> 70	> 70	> 70
Power Factor:	0.95	0.95	0.95
Weight (lbs):	≤ 27	≤ 27	≤ 35
EPA (sqft):	0.543	0.543	0.805

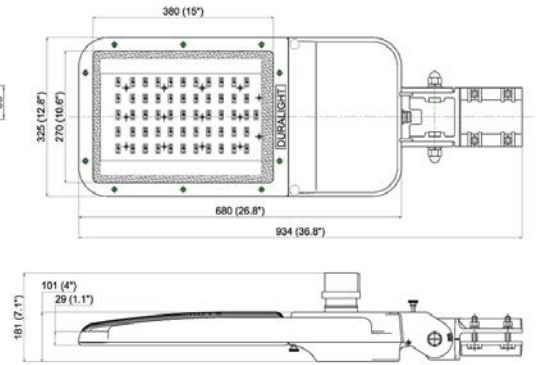
Any additional technical information or sales support regarding these and other LED Products, please contact us:

### HOUSING SIZES:



**JXM-ST140-3**

**JXM-ST180-3**



**JXM-ST180-4**

### ORDERING/OPTIONS

**Example: JXM-ST180-3-4K-120-2-GR-SCLB**

PREFIX		SERIES		WATTAGE LEVEL		CCT	
<b>JXM</b>	DURALIGHT LED	<b>ST</b>	Lighting Series	<b>140-3</b>	≈ 65W	<b>3K</b>	3000K (± 300)
				<b>180-3</b>	≈ 120W	<b>4K</b>	4000K (± 300)
				<b>180-4</b>	≈ 185W		(Standard CCT)
						<b>5K</b>	5000K (± 300)

VOLTAGE		DISTRIBUTION		FINISH		OPTIONS	
<b>120</b>	120V – 277V (Standard Driver)	<b>2</b>	Type II	<b>GR</b>	Gray Housing (Standard)	<b>PC</b>	Photocell
<b>480</b>	480V	<b>3</b>	Type III	<b>BK</b>	Black	<b>SC</b>	Shorting Cap
		<b>4</b>	Type IV	<b>BZ</b>	Bronze	<b>DM</b>	Dimming (0-10V Driver)
		<b>5</b>	Type V	<b>DG</b>	Dark Green	<b>L</b>	Utility Label
				<b>SP</b>	Special Color (Provide Chip)	<b>B</b>	Bubble Level

**TRASTAR, INC.**

860 N. DOROTHY DRIVE, SUITE 600, RICHARDSON, TX 75081

PH: (972) 480-0888 | FX: (972) 480-8884